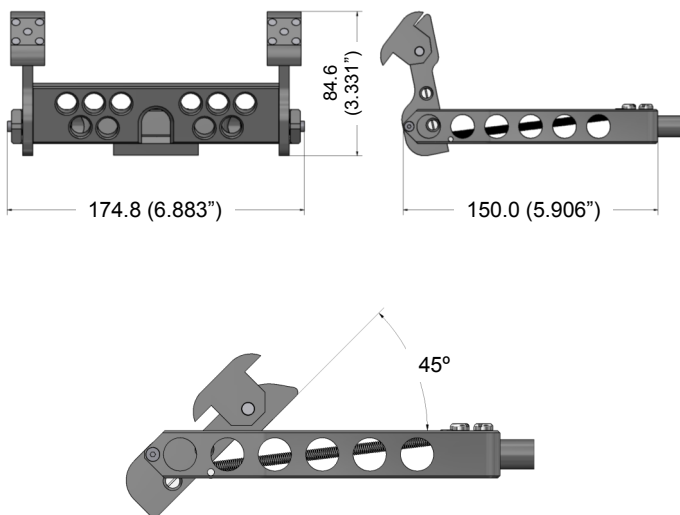


Cygnus S1 Probe Handler for ROV Ship Hull Inspection



The Cygnus S1 Probe Handler is designed for use on Inspection & Medium sized ROVs. It is constructed from acetyl with stainless steel fixings which keeps the weight down - critical on smaller inspection ROVs. Ultrasonic probe alignment is provided by a single jointed coupling that provides 45 degrees of movement from the vertical plane. It has magnetic pads which allow it to hold on to the hull plate and aid probe alignment.

Dimensions



Specifications

Size	175 x 150 x 85 mm (6.9" x 6" x 3.3") <i>Excluding handle</i>
Weight in Air	0.29 Kg (10 oz)
Depth Rating	2000 msw
Material	Black Acetyl with Stainless Fixings
Probe Types	2.25 MHz 13mm with Membrane (3.5 MHz & 5MHz at special request)
Probe Cable	1.55 m Coaxial (other lengths at special request)
Cable Termination	Nosecone compatible with Cygnus ROV systems
Warranty	3 Years
Warranty (Probe)	6 Months
Part Numbers	001-8318